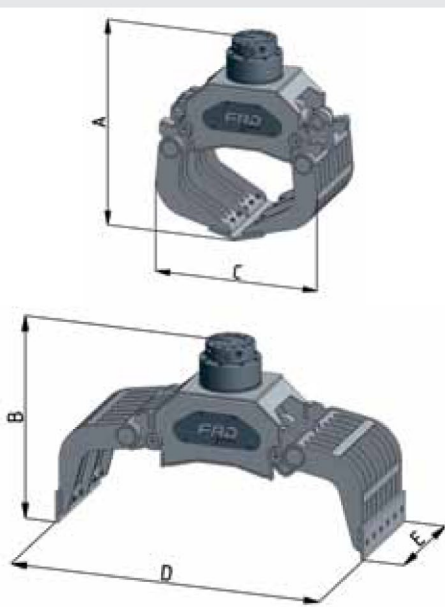


FRD DEMOLITION AND SORTING GRAB

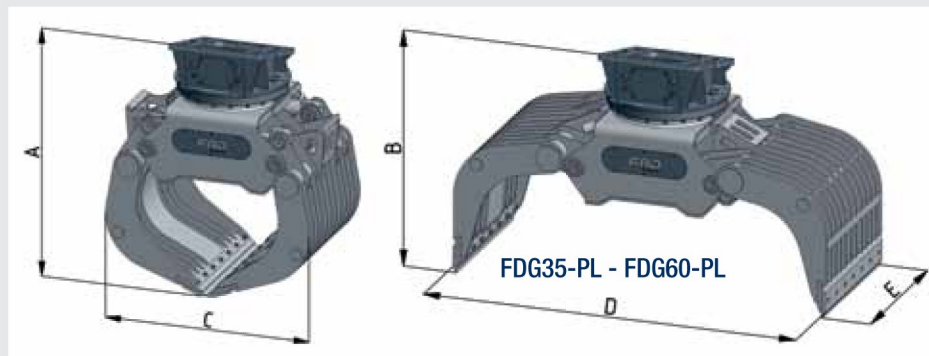
FRD DEMOLITION AND SORTING GRAB - FDG SERIES -

Diverse usable grab for various applications and handling of various materials such as::

- Demolition / demolition sorting
- Sorting of construction waste
- Loading and sorting of recycled material



FDG05-PL - FDG30-PL



FDG35-PL - FDG60-PL

		FDG05-PL	FDG10-PL	FDG15-PL	FDG20-PL	FDG30-PL	FDG35-PL	FDG40-PL	FDG50-PL	FDG60-PL
Weight without adapter plate	kg	140	220	380	510	940	1080	1540	1785	2220
Capacity	l	45	80	130	200	370	370	650	760	925
Loading capacity-grab max.	t	1	1	1,5	2	4	4	6	6	8
Rotation motor max.	t	5	5	5	10	15	15	20	20	30
Dimension A	mm	700	820	930	1075	1205	1420	1595	1765	1800
Dimension B	mm	760	720	775	950	1070	1285	1445	1490	1600
Dimension C	mm	640	660	825	940	1170	1175	1415	1450	1530
Dimension D	mm	1000	1105	1390	1630	1925	1925	2250	2450	2500
Width E	mm	360	400	500	600	800	800	900	1000	1230
Closing force max.	kN	19	17	23	33	51	59	60	75	75
Working pressure grab max.	bar	250	250	320	300	300	350	350	350	350
Oil flow grab max.	l/min	22	22	32	40	60	60	62	90	112
Working pressure rotation max.	bar	250	250	250	250	250	120	140	140	140
Oil flow rotation max.	l/min	20	20	20	28	48	30	30	30	30
Excavator	t	1-2	3 - 5	4 - 7	5 - 9	9 - 15	15 - 20	20 - 25	25 - 30	29 - 40

Specifications may change without prior notice by the manufacturer.

SMALL SERIES

FDG05-PL FDG10-PL FDG15-PL FDG20-PL FDG30-PL

- Compact hydraulic rotator unit with heavy duty axial and radial bearings.
- Flat compact design
- A box frame protects the hydraulic cylinders and synchronizing links.
- The cylinders include a limit damper
- From FDG10-PL: load-holding valves on the cylinders prevent accidental opening of the grab
- Mechanical stop for opening and closing
- Shells made of high strength steel (400 HB)
- Bolted exchangeable cutting blades made of high strength steel (400 HB)
- Grabs available in a swinging version



LARGE SERIES

FDG35-PL FDG40-PL FDG50-PL FDG60-PL

- Hydraulic rotation with high load-bearing axial and radial bearings with circle drive.
- Flat compact design
- A box frame protects the hydraulic cylinders and synchronizing links.
- The cylinders include a limit damper
- Load holding valves on the cylinders prevent accidental opening of the grab
- Mechanical stop for opening and closing
- Shells made of high strength steel (400 HB)
- Bolted exchangeable cutting blades made of high strength steel (400 HB)
- Grabs available in a swinging version



MAXIMUM DURABILITY