

KOMATSU

PC390HRD-11



High reach demolition

Engine power

202 kW / 271 HP @ 1950 rpm

Operating weight

45760 - 63400 kg

Max. attachment weight

Medium reach demolition: 4000 kg

High reach demolition: 3350 kg

Extended high reach demolition: 2500 kg

Specifications

Engine

Model	Komatsu SAA6D114E-6
Type	Common rail direct injection, water-cooled, emissionised, turbocharged, after-cooled diesel
Engine power	
at rated engine speed	1950 rpm
ISO 14396	202 kW / 271 HP
ISO 9249 (net engine power)	192 kW / 257 HP
No. of cylinders	6
Bore × stroke	114 × 144.5 mm
Displacement	8.85 l
Air filter type	Double element type with monitor panel dust indicator and auto dust evacuator
Cooling	Suction type cooling fan with radiator fly screen
Fuel	Diesel fuel, conforming to EN590 Class 2/Grade D. Paraffinic fuel capability (HVO, GTL, BTL), conforming to EN 15940:2016

Hydraulic system

Type	HydrauMind Closed-centre system with load sensing and pressure compensation valves
Additional circuits	2 additional circuits with proportional control are installed
Main pump	2 variable displacement piston pumps supplying boom, arm, bucket, swing and travel circuits
Max. pump flow	2 × 267.5 l/min
Relief valve settings	
Implement	380 kg/cm ²
Travel	380 kg/cm ²
Swing	285 kg/cm ²
Pilot circuit	33 kg/cm ²

Service refill capacities

Fuel tank	605 l
Radiator	37.0 l
Engine oil	38.5 l
Swing drive	14.0 l
Hydraulic tank	188 l
Final drive (each side)	11.0 l
AdBlue® tank	39.0 l

Swing system

Type	Axial piston motor driving through planetary double reduction gearbox
Swing lock	Electrically actuated wet multidisc brake integrated into swing motor
Swing speed	0 - 9.5 rpm
Swing torque	103 kNm

Drives and brakes

Steering control	2 levers with pedals giving full independent control of each track
Drive method	Hydrostatic
Travel operation	Automatic 3-speed selection
Gradeability	70%, 35°
Max. travel speeds	
Lo / Mi / Hi	2.8 / 3.7 / 4.5 km/h
Max. drawbar pull	34000 kg
Brake system	Hydraulically operated discs in each travel motor

Undercarriage

Construction	X-frame centre section with box section track frames
Track assembly	
Type	Fully sealed
Shoes (each side)	49
Tension	Combined spring and hydraulic unit
Rollers	
Track rollers (each side)	8
Carrier rollers (each side)	2

Environment

Engine emissions	Fully complies with EU Stage V exhaust emission regulations
Noise levels	
LwA external	104 dB(A) (2000/14/EC Stage II)
LpA operator ear	71 dB(A) (ISO 6396 dynamic test)
Vibration levels (EN 12096:1997)	
Hand/arm	≤ 2.5 m/s ² (uncertainty K = 0.37 m/s ²)
Body	≤ 0.5 m/s ² (uncertainty K = 0.17 m/s ²)
Contains fluorinated greenhouse gas HFC-134a (GWP 1430). Quantity of gas 0.8 kg, CO ₂ equivalent 1.14 t	

Operating weight (appr.)

Triple grouser shoes	Extended high reach demolition		High reach demolition		Medium reach demolition		Excavation boom	
	Operating weight	Ground pressure	Operating weight	Ground pressure	Operating weight	Ground pressure	Operating weight	Ground pressure
600 mm	57300 kg	0.99 kg/cm ²	55300 kg	0.96 kg/cm ²	56200 kg	0.97 kg/cm ²	45760 kg	0.82 kg/cm ²
700 mm	57800 kg	0.86 kg/cm ²	55800 kg	0.83 kg/cm ²	56700 kg	0.84 kg/cm ²	46260 kg	0.71 kg/cm ²
700 mm HWG	61800 kg	0.92 kg/cm ²	59880 kg	0.89 kg/cm ²	60700 kg	0.90 kg/cm ²	50260 kg	0.77 kg/cm ²
Attachment weight	2500 kg		3350 kg		4000 kg		1700 kg	

Operating weight, including specified work equipment, operator, lubricant, coolant, full fuel tank and the standard equipment.

Operating weight (appr.) with K100 quick boom change system

Triple grouser shoes	Extended high reach demolition		High reach demolition		Medium reach demolition		Excavation boom	
	Operating weight	Ground pressure	Operating weight	Ground pressure	Operating weight	Ground pressure	Operating weight	Ground pressure
600 mm	58900 kg	1.02 kg/cm ²	57000 kg	0.99 kg/cm ²	57900 kg	1.01 kg/cm ²	52860 kg	0.92 kg/cm ²
700 mm	59400 kg	0.89 kg/cm ²	57500 kg	0.86 kg/cm ²	58400 kg	0.87 kg/cm ²	53360 kg	0.80 kg/cm ²
700 mm HWG	63400 kg	0.95 kg/cm ²	61500 kg	0.92 kg/cm ²	62400 kg	0.93 kg/cm ²	57360 kg	0.86 kg/cm ²
Attachment weight	2500 kg		3350 kg		4000 kg		1700 kg	

Operating weight, including specified work equipment, operator, lubricant, coolant, full fuel tank and the standard equipment.



Safety first

- Hydraulically adjustable heavy duty undercarriage
- Graphical working range indication, with integrated arm end camera display
- Optional arm end camera
- KomVision surround view system
- Neutral position detection system
- Fully regulation compliant tilting cab

First-class comfort

- Fully air-suspended operator station
- Low-noise design
- Wrist controller mounted auxiliary controls

Maximum versatility

- Komatsu standard powered pin connection system
- Optional K100 quick boom connection system
- 6 different working arrangements
- Boom extension for extended high reach or extended digging boom working

Quality you can rely on

- Heavy duty demolition structure
- Komatsu quality components

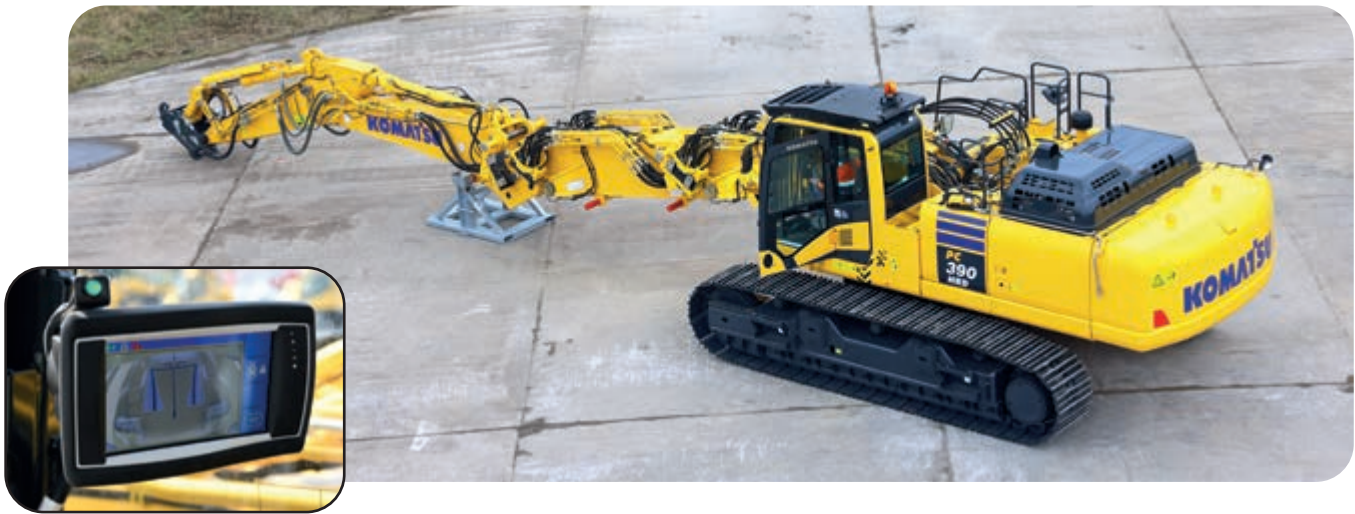
Komtrax

- Komatsu wireless monitoring system
- 4G mobile communications
- Integrated communication antenna



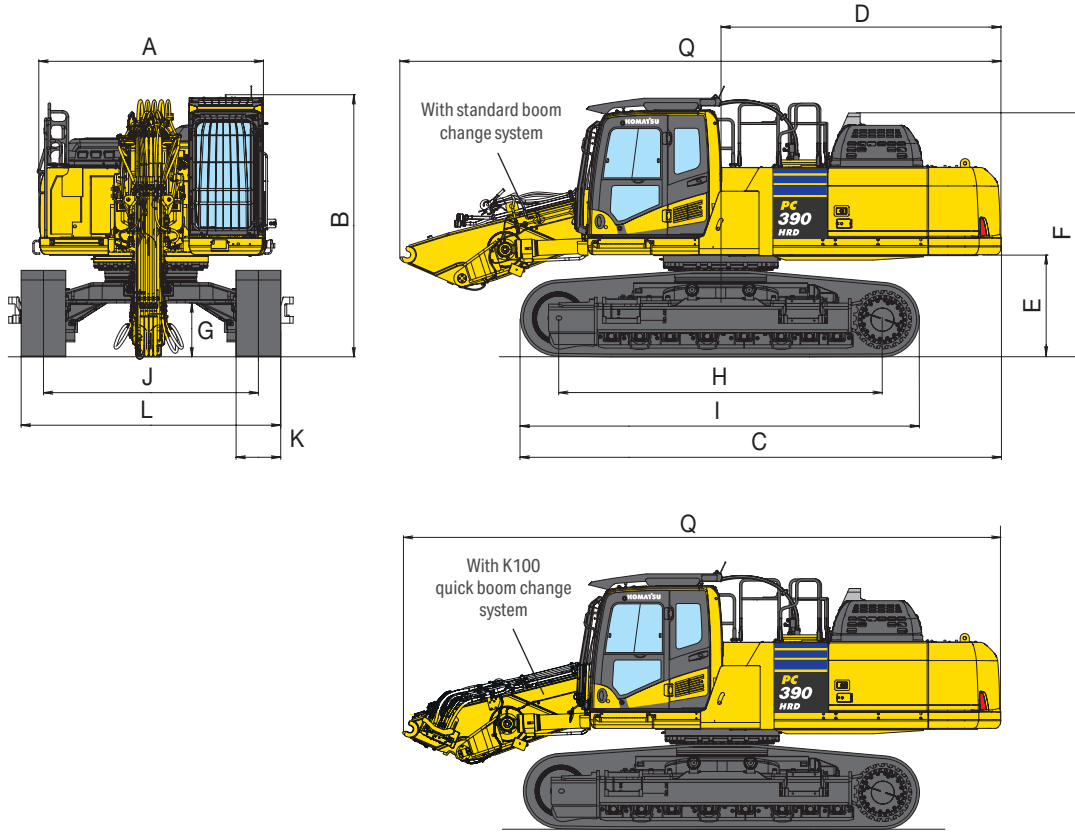
K100 quick boom change system





K100 quick boom change system (option)
Includes Komatsu hands free boom connections, with advanced human machine interface safety system.
Low profile equipment storage stands included.

Basic dimensions



Transport dimensions

Undercarriage	LC	HWG
A Overall width of upper structure ¹⁾	2995 mm	2995 mm
B Overall height of cab, with FOPS	3495 mm	3395 mm
Overall height of cab, without FOPS	3300 mm	3200 mm
C Overall length of basic machine	6465 mm	6465 mm
D Tail length	3770 mm	3770 mm
E Clearance under counterweight	1330 mm	1230 mm
F Machine tail height	3225 mm	3125 mm
G Ground clearance	685 mm	385 mm
H Tumbler centre distance	4350 mm	4350 mm
I Track length	5385 mm	5385 mm
J Track gauge ²⁾	2390 - 2890 mm	2280 - 3280 mm
K Track shoe width	600 mm, 700 mm	700 mm
L Overall track width with 600 mm shoes ²⁾	2990 - 3490 mm	-
Overall track width with 700 mm shoes ²⁾	3090 - 3590 mm	2980 - 3980 mm
Q Transport length	8090 mm	8090 mm
Transport weight (600 mm shoe)	39500 kg ³⁾ / 46800 kg ⁴⁾	-
Transport weight (700 mm shoe)	40000 kg ³⁾ / 47300 kg ⁴⁾	44000 kg ³⁾ / 51300 kg ⁴⁾

¹⁾ Overall width of upper structure excludes side guards, handrails and mirrors. Side guards can be removed if transport width of less than 3 m is required.

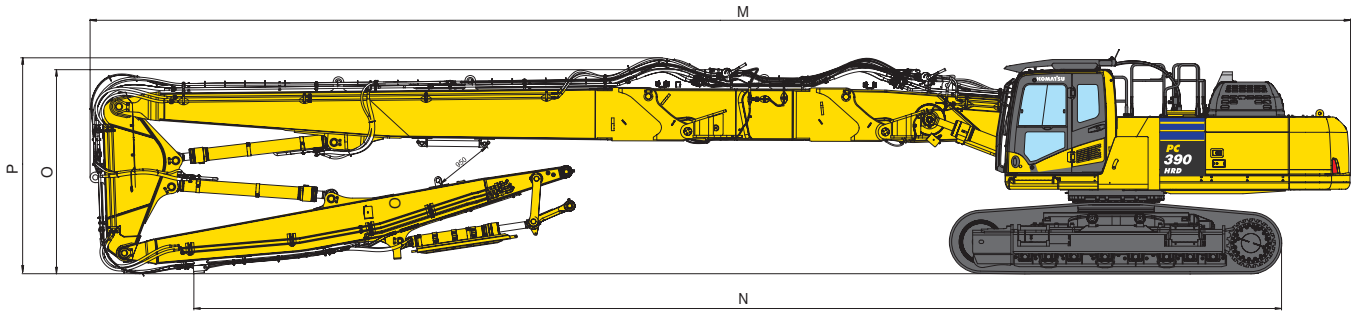
²⁾ Undercarriage in retracted – extended position

³⁾ Transport weight with standard boom change system, excluding additional counterweight

⁴⁾ Transport weight with K100 boom change system, including single piece counterweight

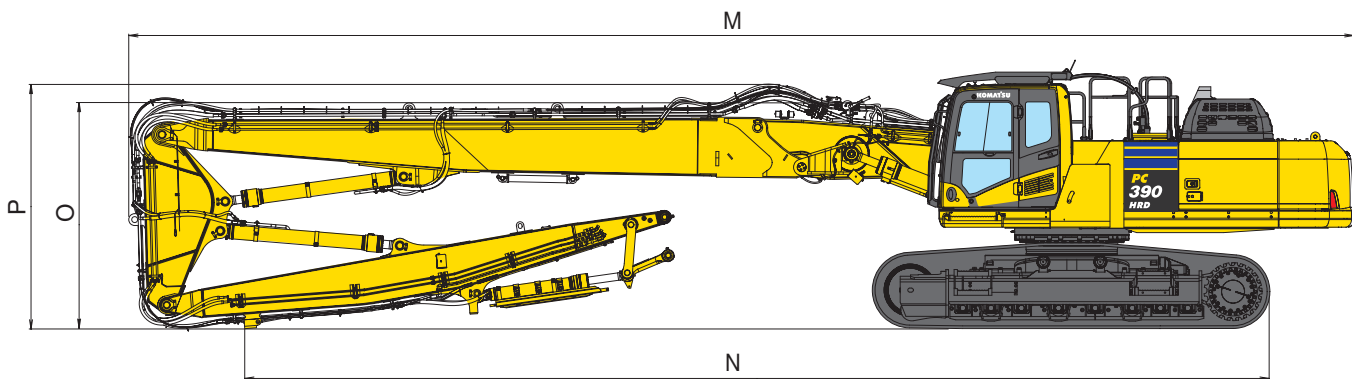
Transport dimensions

Extended high reach demolition



	With standard boom change system	With K100 quick boom change system
M Overall transport length	19530 mm	19510 mm
N Transport length on ground	16845 mm	14060 mm
O Transport height (to top of boom)	3090 mm	3030 mm
P Transport height (to top of hose)	3370 mm	3070 mm
Transport weight (LC undercarriage, 600 mm shoe)	54800 kg	56400 kg
Transport weight (HWG undercarriage, 700 mm shoe)	59300 kg	60900 kg

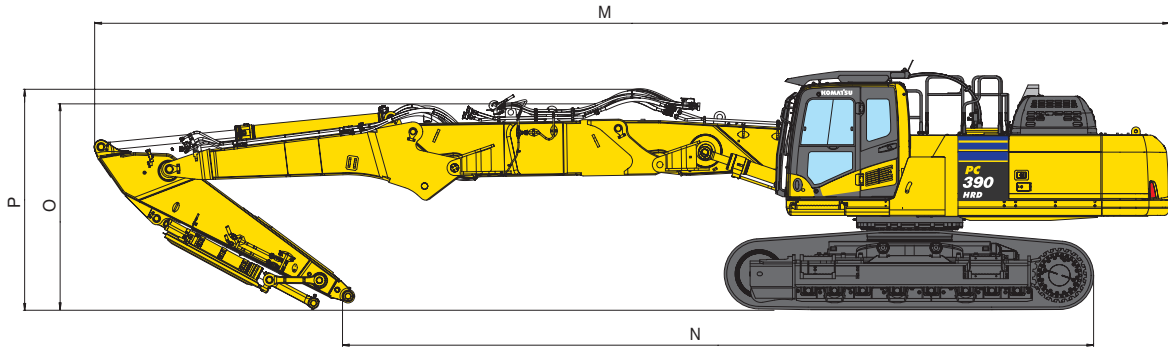
High reach demolition



	With standard boom change system	With K100 quick boom change system
M Overall transport length	16530 mm	16510 mm
N Transport length on ground	13870 mm	11070 mm
O Transport height (to top of boom)	3090 mm	3015 mm
P Transport height (to top of hose)	3370 mm	3070 mm
Transport weight (LC undercarriage, 600 mm shoe)	51950 kg	53650 kg
Transport weight (HWG undercarriage, 700 mm shoe)	56450 kg	58150 kg

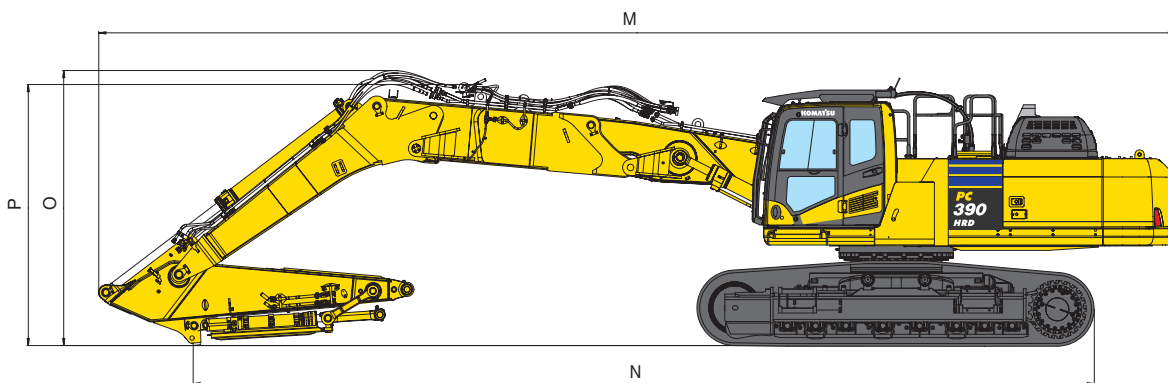
Transport dimensions

Medium reach demolition – straight position



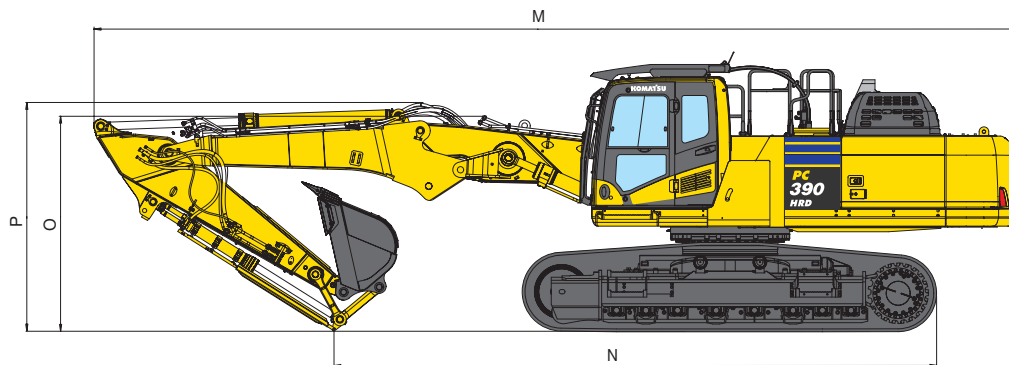
	With standard boom change system	With K100 quick boom change system
M Overall transport length	15705 mm	15705 mm
N Transport length on ground	10985 mm	10985 mm
O Transport height (to top of boom)	2985 mm	2925 mm
P Transport height (to top of hose)	3185 mm	2925 mm
Transport weight (LC undercarriage, 600 mm shoe)	52200 kg	53900 kg
Transport weight (HWG undercarriage, 700 mm shoe)	56700 kg	58400 kg

Medium reach demolition – cranked position



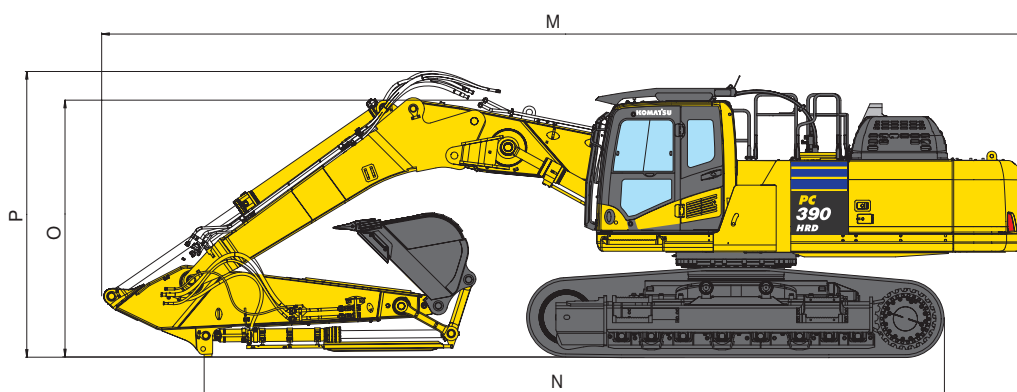
	With standard boom change system	With K100 quick boom change system
M Overall transport length	14860 mm	14860 mm
N Transport length on ground	12445 mm	12445 mm
O Transport height (to top of boom)	3590 mm	3500 mm
P Transport height (to top of hose)	3770 mm	3560 mm
Transport weight (LC undercarriage, 600 mm shoe)	52200 kg	53900 kg
Transport weight (HWG undercarriage, 700 mm shoe)	56700 kg	58400 kg

Excavation boom – straight position



	With standard boom change system	With K100 quick boom change system
M Overall transport length	12680 mm	12680 mm
N Transport length on ground	8155 mm	8155 mm
O Transport height (to top of boom)	3160 mm	3240 mm
P Transport height (to top of hose)	3260 mm	3250 mm
Transport weight (LC undercarriage, 600 mm shoe, including 1700 kg bucket)	45760 kg	52860 kg
Transport weight (HWG undercarriage, 700 mm shoe, including 1700 kg bucket)	50260 kg	57360 kg

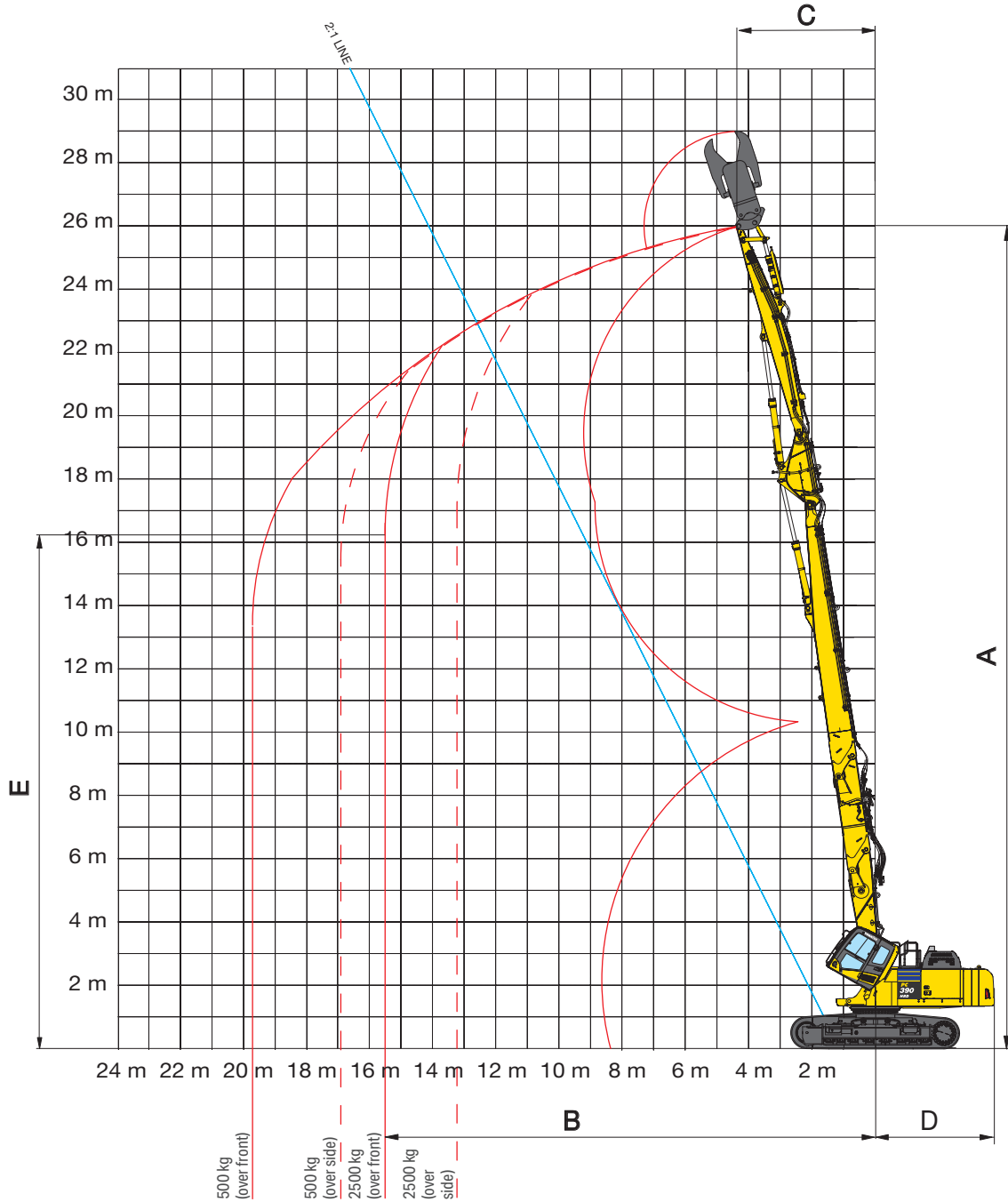
Excavation boom – cranked position



	With standard boom change system	With K100 quick boom change system
M Overall transport length	11930 mm	11930 mm
N Transport length on ground	9540 mm	9540 mm
O Transport height (to top of boom)	3310 mm	3360 mm
P Transport height (to top of hose)	3670 mm	3400 mm
Transport weight (LC undercarriage, 600 mm shoe, including 1700 kg bucket)	45760 kg	52860 kg
Transport weight (HWG undercarriage, 700 mm shoe, including 1700 kg bucket)	50260 kg	57360 kg

Working range

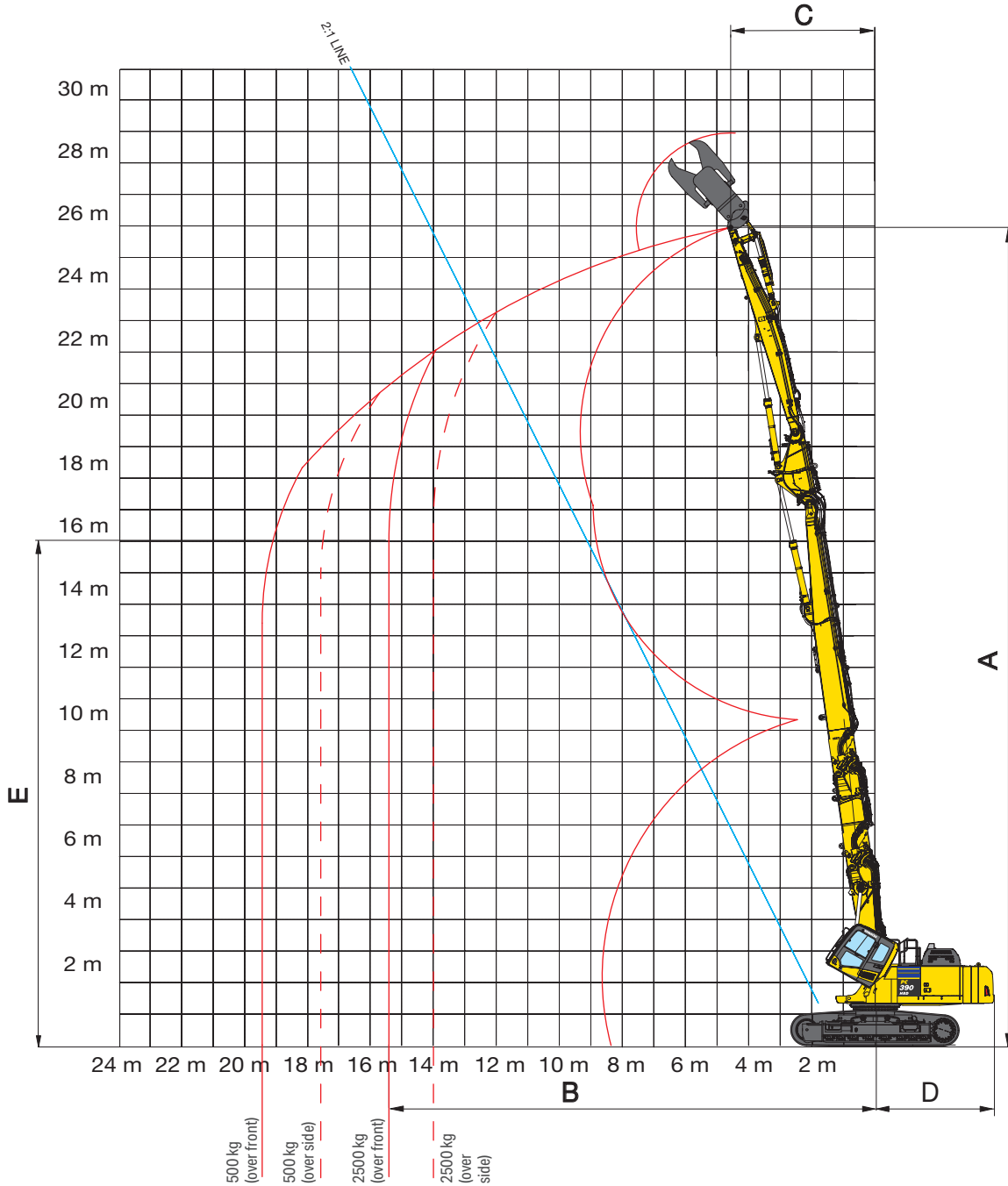
Extended high reach demolition



Extended high reach demolition

	LC undercarriage		HWG undercarriage	
	Over front	Over side	Over front	Over side
A Max. height (to pin at arm end)	26015 mm	26015 mm	25910 mm	25910 mm
B Max. forward reach (max. tool weight)	15500 mm	13250 mm	16000 mm	13900 mm
C Min. swing radius of arm end pin at max. height	4315 mm	4315 mm	4315 mm	4315 mm
D Tail swing radius	3800 mm	3800 mm	3800 mm	3800 mm
E Height at max. reach	16230 mm	17030 mm	15940 mm	16735 mm
Max. height (2:1 line)	22940 mm	22940 mm	22830 mm	22830 mm
Reach at max. height (2:1 line)	12590 mm	12590 mm	12580 mm	12580 mm

**Extended high reach demolition
with K100 quick boom change system**



Extended high reach demolition

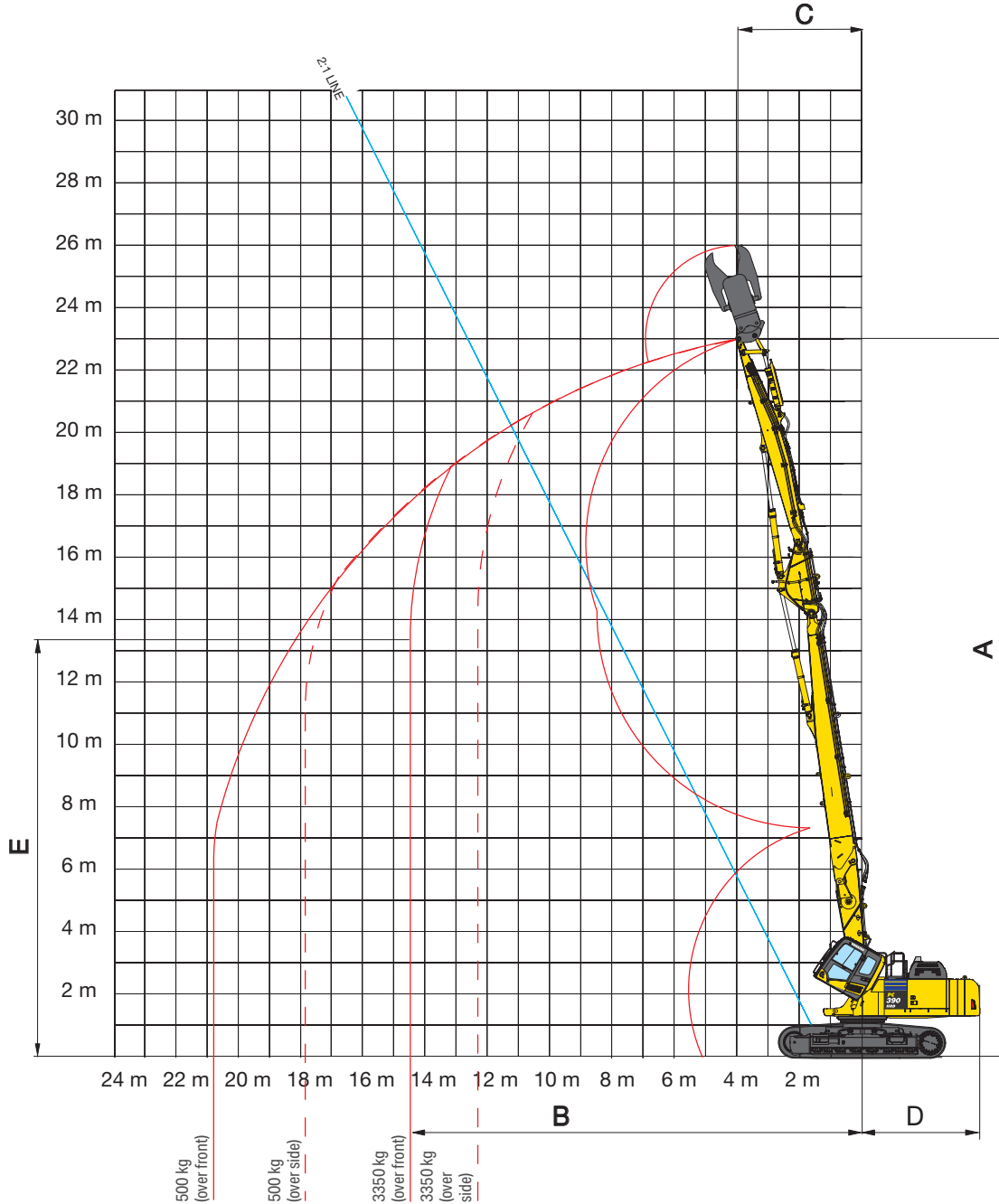
LC undercarriage

HWG undercarriage

	Over front	Over side	Over front	Over side
A Max. height (to pin at arm end)	25950 mm	25950 mm	25835 mm	25835 mm
B Max. forward reach (max. tool weight)	15415 mm	14005 mm	15920 mm	14525 mm
C Min. swing radius of arm end pin at max. height	4575 mm	4575 mm	4575 mm	4575 mm
D Tail swing radius	3800 mm	3800 mm	3800 mm	3800 mm
E Height at max. reach	16015 mm	16555 mm	15675 mm	16275 mm
Max. height (2:1 line)	22925 mm	22925 mm	22835 mm	22835 mm
Reach at max. height (2:1 line)	12585 mm	12585 mm	12540 mm	12540 mm

Working range

High reach demolition



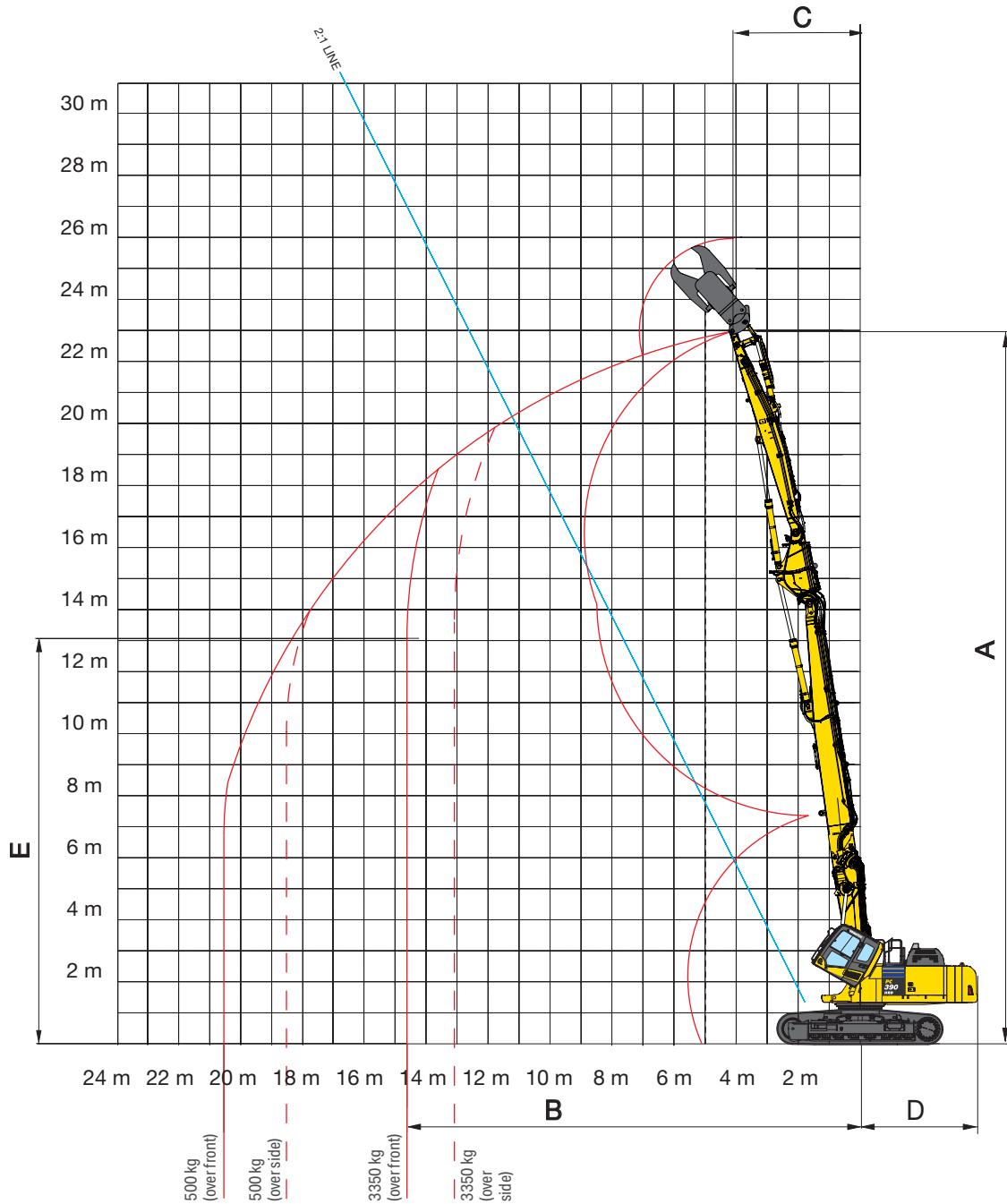
High reach demolition

LC undercarriage

HWG undercarriage

	Over front	Over side	Over front	Over side
A Max. height (to pin at arm end)	23035 mm	23035 mm	22935 mm	22935 mm
B Max. forward reach (max. tool weight)	14500 mm	12250 mm	15000 mm	12915 mm
C Min. swing radius of arm end pin at max. height	3960 mm	3960 mm	3960 mm	3960 mm
D Tail swing radius	3800 mm	3800 mm	3800 mm	3800 mm
E Height at max. reach	13380 mm	14190 mm	14190 mm	14190 mm
Max. height (2:1 line)	20250 mm	20250 mm	20150 mm	20150 mm
Reach at max. height (2:1 line)	11250 mm	11250 mm	11250 mm	11250 mm

**High reach demolition
with K100 quick boom change system**



High reach demolition

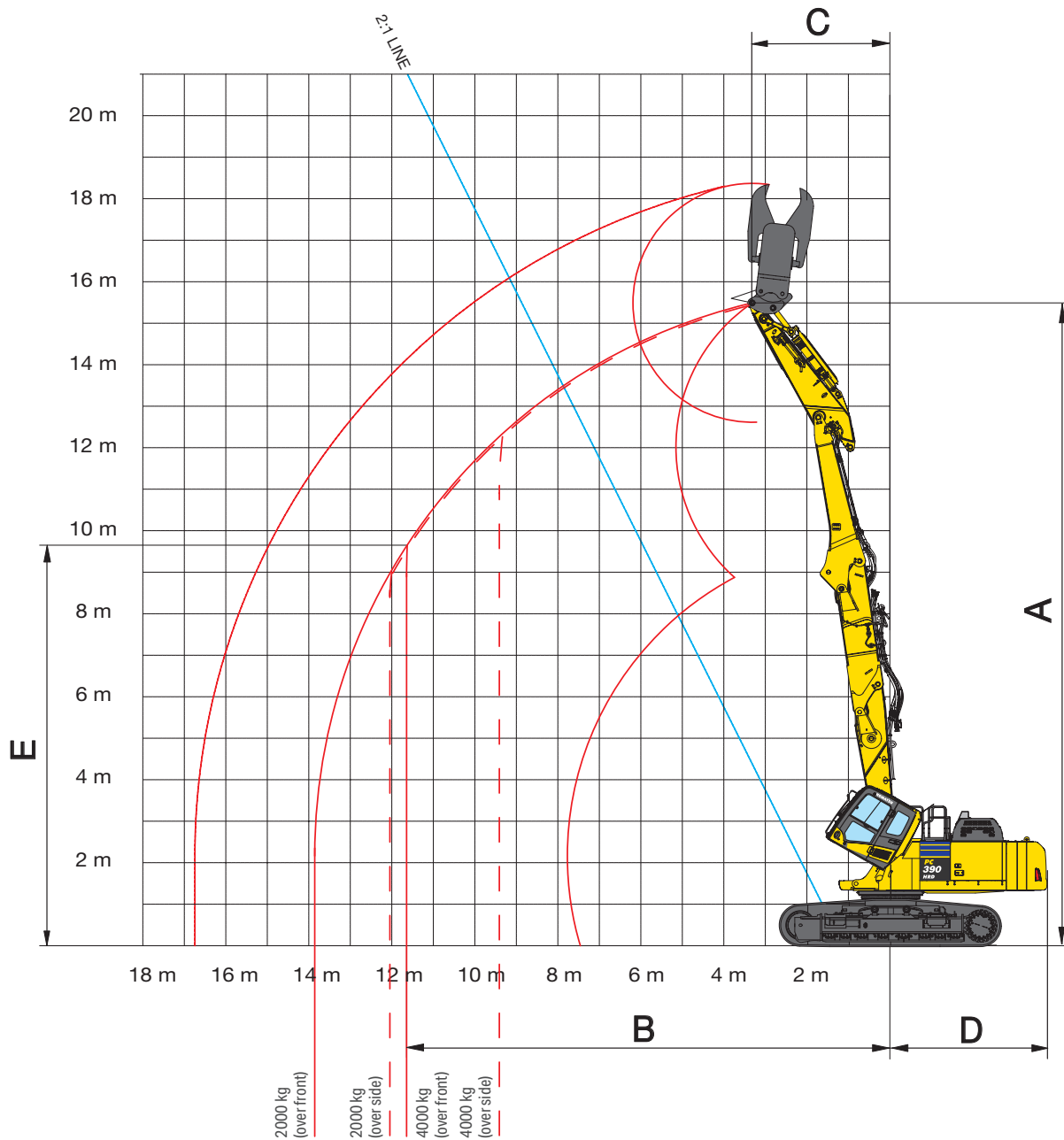
LC undercarriage

HWG undercarriage

	Over front	Over side	Over front	Over side
A Max. height (to pin at arm end)	22985 mm	22985 mm	22870 mm	22870 mm
B Max. forward reach (max. tool weight)	14630 mm	13100 mm	14990 mm	13610 mm
C Min. swing radius of arm end pin at max. height	4140 mm	4140 mm	4140 mm	4140 mm
D Tail swing radius	3800 mm	3800 mm	3800 mm	3800 mm
E Height at max. reach	13065 mm	13690 mm	12785 mm	13415 mm
Max. height (2:1 line)	20235 mm	20235 mm	20145 mm	20145 mm
Reach at max. height (2:1 line)	11240 mm	11240 mm	11195 mm	11195 mm

Working range

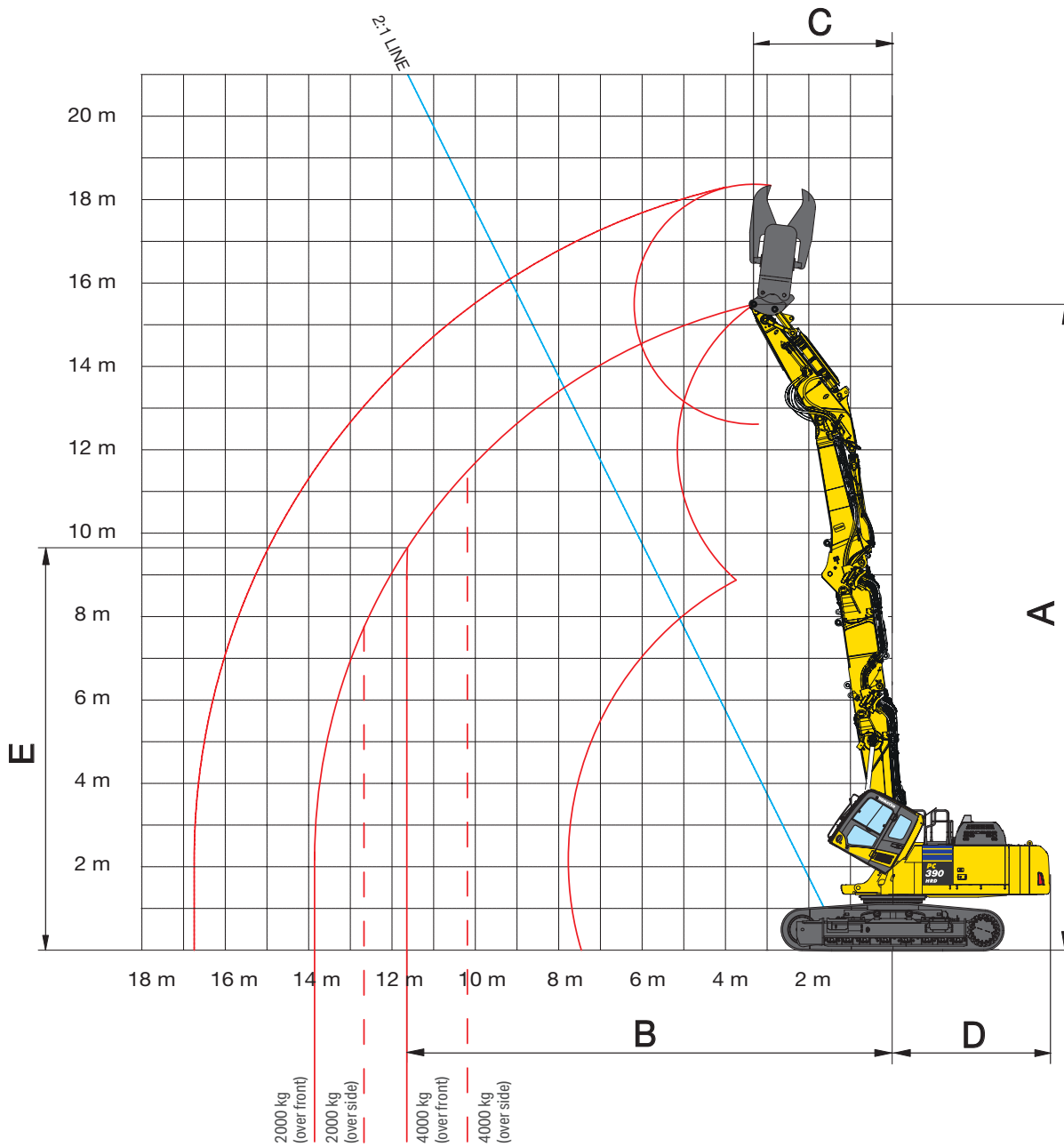
Medium reach demolition – straight position



Medium reach demolition – straight position

	LC undercarriage		HWG undercarriage	
	Over front	Over side	Over front	Over side
A Max. height (to pin at arm end)	15490 mm	15490 mm	15390 mm	15390 mm
B Max. forward reach (max. tool weight)	11915 mm	9450 mm	12010 mm	10100 mm
C Min. swing radius of arm end pin at max. height	3310 mm	3310 mm	3310 mm	3310 mm
D Tail swing radius	3800 mm	3800 mm	3800 mm	3800 mm
E Height at max. reach	9185 mm	12225 mm	8930 mm	11490 mm
Max. height (2:1 line)	13485 mm	13485 mm	13385 mm	13385 mm
Reach at max. height (2:1 line)	7865 mm	7865 mm	7865 mm	7865 mm

Medium reach demolition – straight position with K100 quick boom change system



Medium reach demolition – straight position

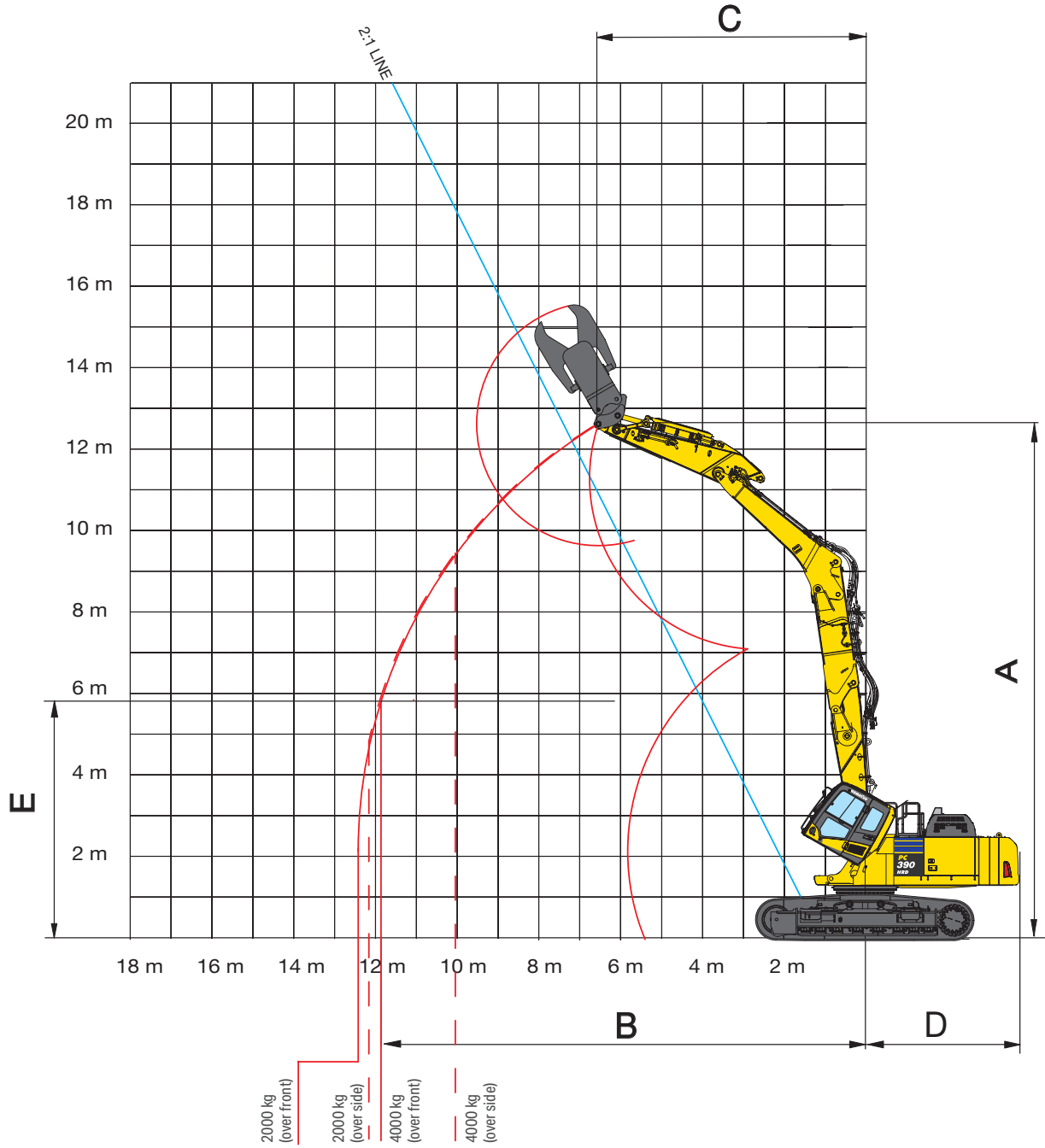
LC undercarriage

HWG undercarriage

	Over front	Over side	Over front	Over side
A Max. height (to pin at arm end)	15485 mm	15485 mm	15375 mm	15375 mm
B Max. forward reach (max. tool weight)	11685 mm	10200 mm	12015 mm	10690 mm
C Min. swing radius of arm end pin at max. height	3320 mm	3320 mm	3320 mm	3320 mm
D Tail swing radius	3800 mm	3800 mm	3800 mm	3800 mm
E Height at max. reach	9560 mm	11480 mm	8905 mm	10805 mm
Max. height (2:1 line)	13485 mm	13485 mm	13400 mm	13400 mm
Reach at max. height (2:1 line)	7865 mm	7865 mm	7825 mm	7825 mm

Working range

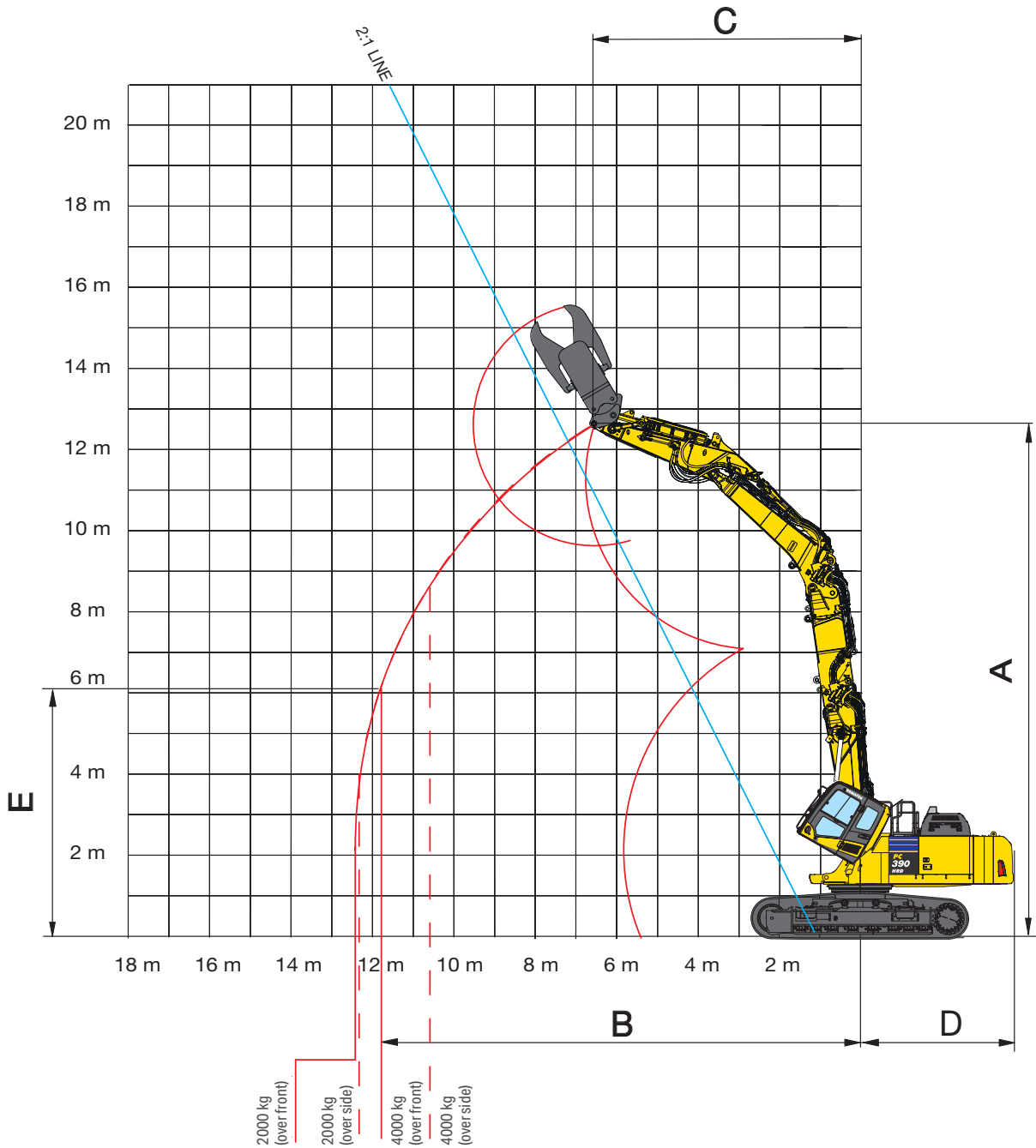
Medium reach demolition – cranked position



Medium reach demolition – cranked position

	LC undercarriage		HWG undercarriage	
	Over front	Over side	Over front	Over side
A Max. height (to pin at arm end)	12655 mm	12655 mm	12555 mm	12555 mm
B Max. forward reach (max. tool weight)	11885 mm	10025 mm	12160 mm	10715 mm
C Min. swing radius of arm end pin at max. height	6550 mm	6550 mm	6550 mm	6550 mm
D Tail swing radius	3800 mm	3800 mm	3800 mm	3800 mm
E Height at max. reach	5830 mm	9485 mm	4705 mm	8350 mm
Max. height (2:1 line)	12210 mm	12210 mm	12110 mm	12110 mm
Reach at max. height (2:1 line)	7230 mm	7230 mm	7230 mm	7230 mm

Medium reach demolition – cranked position with K100 quick boom change system

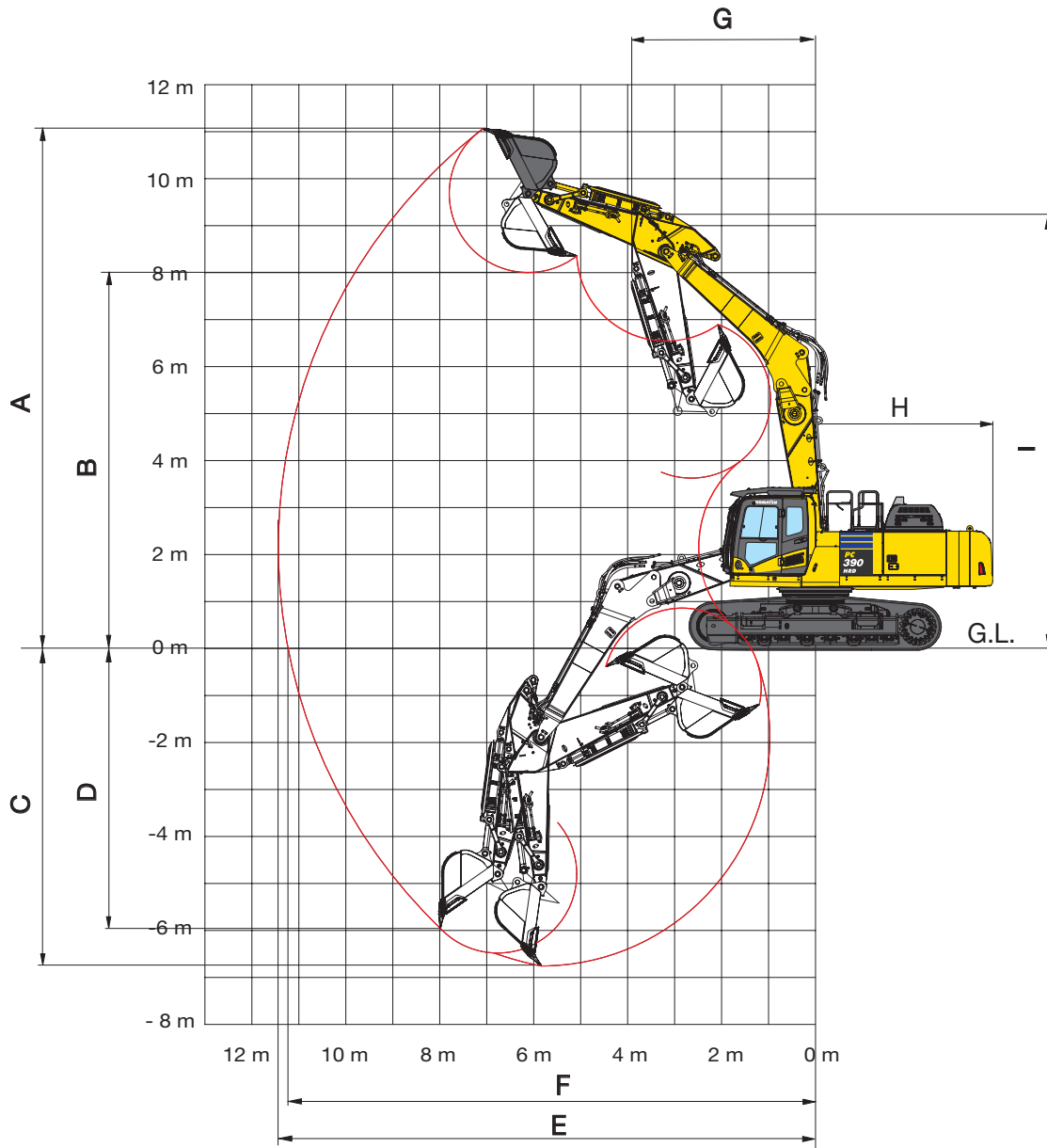


Medium reach demolition – cranked position

	LC undercarriage		HWG undercarriage	
	Over front	Over side	Over front	Over side
A Max. height (to pin at arm end)	12650 mm	12650 mm	12535 mm	12535 mm
B Max. forward reach (max. tool weight)	11785 mm	10615 mm	11915 mm	10890 mm
C Min. swing radius of arm end pin at max. height	6555 mm	6555 mm	6555 mm	6555 mm
D Tail swing radius	3800 mm	3800 mm	3800 mm	3800 mm
E Height at max. reach	6130 mm	8610 mm	5615 mm	8030 mm
Max. height (2:1 line)	12210 mm	12210 mm	12125 mm	12125 mm
Reach at max. height (2:1 line)	7230 mm	7230 mm	7185 mm	7185 mm

Working range

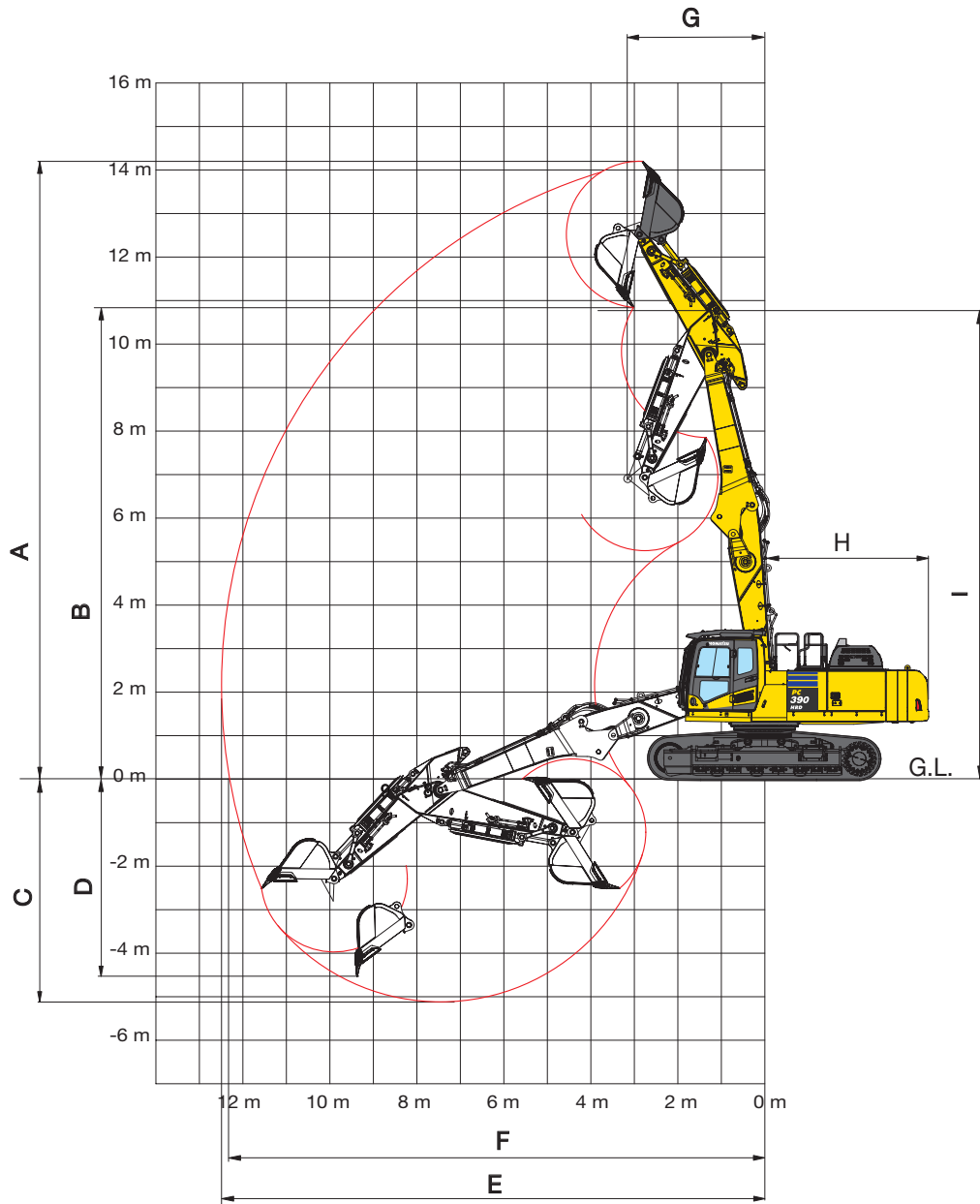
Excavation boom – cranked position



Arm length 3.2 m

	Undercarriage	LC	HWG
A	Max. digging height	11060 mm	10945 mm
B	Max. dumping height	8000 mm	7890 mm
C	Max. digging depth	6770 mm	6870 mm
D	Max. vertical wall digging depth	5945 mm	6055 mm
E	Max. digging reach	11435 mm	11435 mm
F	Max. digging reach at ground level	11225 mm	11250 mm
G	Min. swing radius (bucket loaded)	3905 mm	3905 mm
H	Tail swing radius	3800 mm	3800 mm
I	Max. height at min. swing radius	9485 mm	9370 mm

Excavation boom – straight position



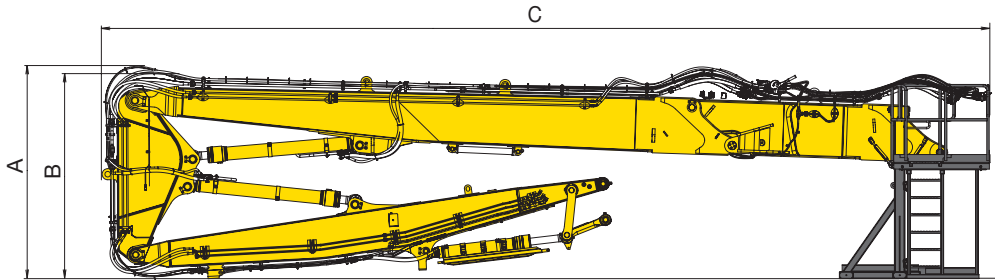
Arm length 3.2 m

	LC	HWG
A Max. digging height	14205 mm	14090 mm
B Max. dumping height	10840 mm	10725 mm
C Max. digging depth	5135 mm	5230 mm
D Max. vertical wall digging depth	4535 mm	4650 mm
E Max. digging reach	12490 mm	12490 mm
F Max. digging reach at ground level	12300 mm	12320 mm
G Min. swing radius (bucket loaded)	3245 mm	3245 mm
H Tail swing radius	3800 mm	3800 mm
I Max. height at min. swing radius	10895 mm	10780 mm

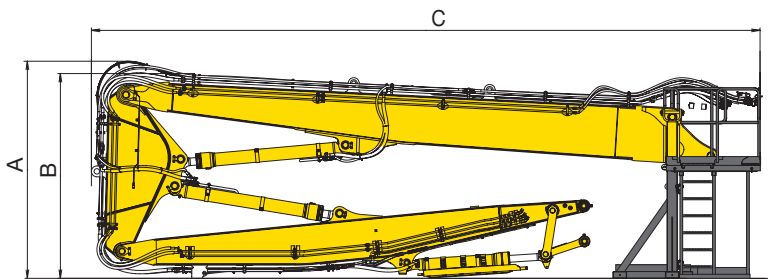
Work equipment storage dimensions

With standard boom change system

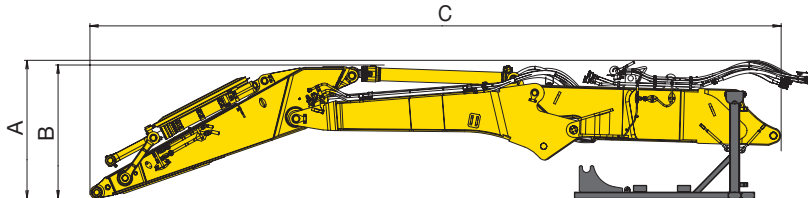
Extended high reach demolition



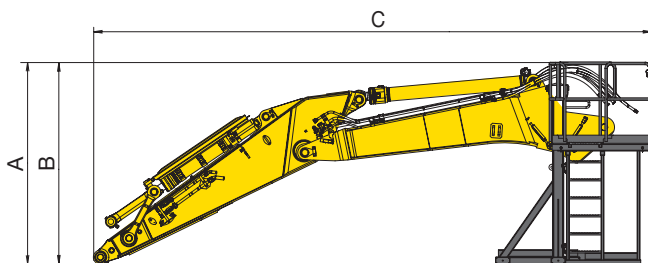
High reach demolition



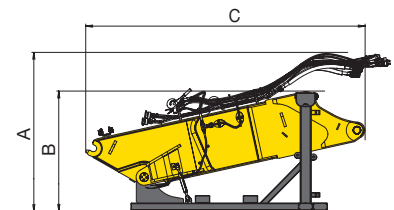
Medium reach demolition



Excavation boom



Extension



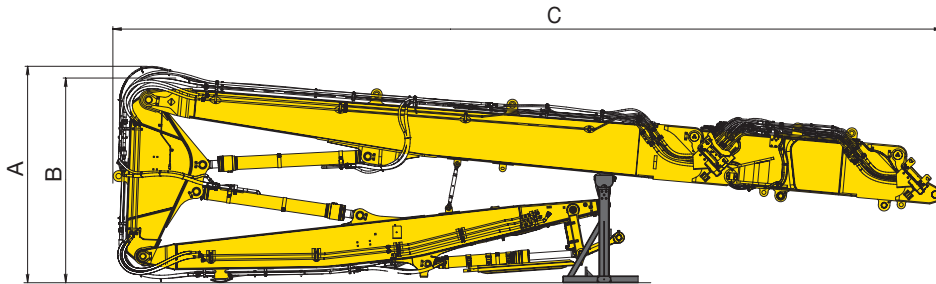
Work equipment storage dimensions

	Extended high reach demolition	High reach demolition	Medium reach demolition	Excavation boom	Extension
A	3065 mm	3190 mm	2040 mm	2805 mm	1865 mm
B	2910 mm	3080 mm	1955 mm	2805 mm	1615 mm
C	12800 mm	9830 mm	10355 mm	7730 mm	3845 mm
Transport weight*	10050 kg	7970 kg	7465 kg	5775 kg	2460 kg

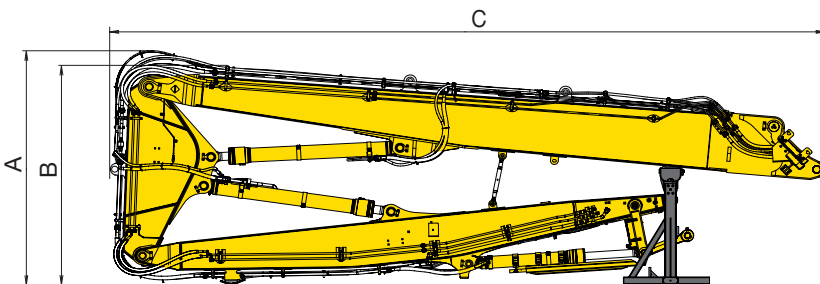
* Transport weight includes equipment stands and excludes attachment/bucket.

With K100 quick boom change system

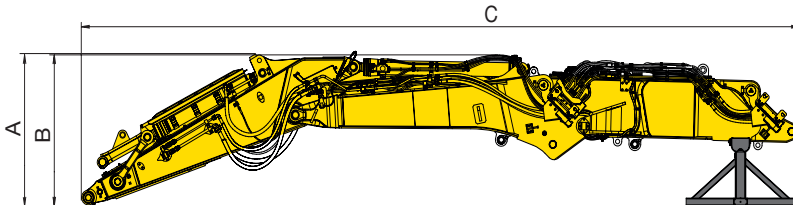
Extended high reach demolition



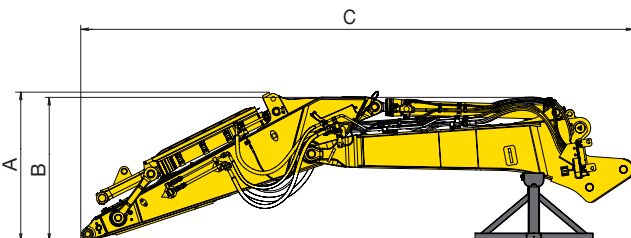
High reach demolition



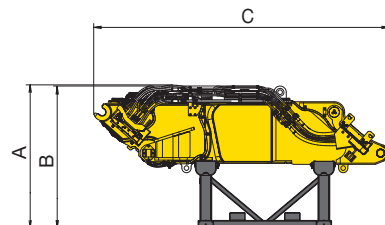
Medium reach demolition



Excavation boom



Extension



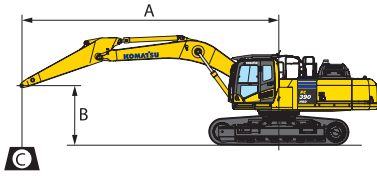
Work equipment storage dimensions

	Extended high reach demolition	High reach demolition	Medium reach demolition	Excavation boom	Extension
A	3180 mm	3170 mm	2020 mm	1975 mm	1850 mm
B	2970 mm	2970 mm	2010 mm	1915 mm	1840 mm
C	12185 mm	9200 mm	10360 mm	7405 mm	3815 mm
Transport weight*	10780 kg	8030 kg	8255 kg	5505 kg	3100 kg

* Transport weight includes equipment stands and excludes attachment/bucket.

Lifting capacity

With standard boom change system



- A - Reach from swing center
- B - Bucket hook height
- C - Lifting capacities

- Rating over front
- Rating over side
- Rating at maximum reach

Weights:
Bucket linkage, bucket cylinder, including cylinder guard: 588 kg

With 600 mm shoes

Excavation boom – cranked position

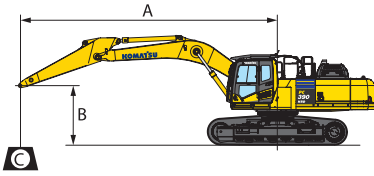
Arm length	A				9.0 m		7.5 m		6.0 m		4.5 m		3.0 m	
	B													
	9.0 m	kg	*9050	*9050										
	7.5 m	kg	*8450	*8450			*9350	*9350						
	6.0 m	kg	*8300	8050			*12850	10100	*14100	*14100				
	4.5 m	kg	*8450	7100	*10700	7450	*13600	9800	*15750	13700	*19700	*19700		
	3.0 m	kg	*8850	6550	11200	7250	*14600	9400	*17750	12900	*24050	19450		
	1.5 m	kg	*9500	6250	10950	7050	14300	9000	*19400	12150	*18600	17900		
	0.0 m	kg	9750	6250	10750	6850	13900	8700	19350	11650	*18100	17250		
	-1.5 m	kg	10150	6450	10600	6700	13650	8450	19050	11350	*23400	17050		
	-3.0 m	kg	11150	7050			13600	8400	*18850	11250	*23800	17100	*19550	*19550
	-4.5 m	kg	*12350	8250			*12750	8500	*16400	11350	*20300	1730		

Excavation boom – straight position

Arm length	A				10.5 m		9.0 m		7.5 m		6.0 m		4.5 m	
	B													
	9.0 m	kg	*9550	9050					*11650	9700	*13550	*13550	*12950	*12950
	7.5 m	kg	*8800	7200			*9100	7200	*13650	9750	*13400	*13400	*12200	*12200
	6.0 m	kg	*8450	6200			11200	7250	*14850	9550	*15250	13400	*14900	*14900
	4.5 m	kg	*8300	5650			11000	7100	14500	9250	*18850	12700		
	3.0 m	kg	8300	5350	8650	5550	10800	6900	14100	8850	19750	11950		
	1.5 m	kg	8150	5200	8550	5450	10600	6700	13700	8500				
	0.0 m	kg	8200	5250	8500	5400	10450	6550	13450	8250	18700	11050		
	-1.5 m	kg	*8550	5450			10350	6500	13350	8150	*17050	10950		
	-3.0 m	kg					*9550	6550	*12050	8200	*14100	11050		

* Load is limited by hydraulic capacity rather than tipping.
 Ratings are based on SAE Standard No. J1097.
 Rated loads do not exceed 87% of hydraulic lift capacity or 75% of tipping load.
 Lifting capacities are stated in kg, on the tip of the arm, for machine on firm, level supporting surface.

With K100 quick boom change system



- A – Reach from swing center
- B – Bucket hook height
- C – Lifting capacities

- Rating over front
- Rating over side
- Rating at maximum reach

Weights:

Bucket linkage, bucket cylinder, including cylinder guard: 588 kg

With 600 mm shoes

Excavation boom – cranked position

Arm length	A				9.0 m		7.5 m		6.0 m		4.5 m		3.0 m	
	B													
	9.0 m	kg	*8550	*8550										
	7.5 m	kg	*8150	*8150			*11350	10500						
	6.0 m	kg	*8150	7650			*11850	10250	*13350	*13350				
	4.5 m	kg	*8400	6800	*11300	7400	*12650	9850	*15000	13750	*19600	*19600		
	3.0 m	kg	*8850	6400	11600	7150	*13600	9350	*16800	12750	*23350	19000		
	1.5 m	kg	*9650	6200	11350	6950	*14350	8900	*18100	12000	*17050	*17050		
	0.0 m	kg	10400	6350	11200	6800	14500	8650	*18500	11600	*19800	17550		
	-1.5 m	kg	11100	6750	11200	6800	*14350	8550	*18000	11550	*23100	17700	*14850	*14850
	-3.0 m	kg	*11400	7700			*13100	8700	*16450	11700	*20650	18050	*22900	*22900
	-4.5 m	kg	*10900	9700					*13450	12150	*16650	*16650		

Excavation boom – straight position

Arm length	A				10.5 m		9.0 m		7.5 m		6.0 m		4.5 m	
	B													
	9.0 m	kg	*9000	8650					*12800	10600	*13200	*13200	*12250	*12250
	7.5 m	kg	*8450	7050			*11600	7700	*13850	10500	*13600	*13600	*12350	*12350
	6.0 m	kg	*8200	6150			12100	7600	*14250	10150	*17200	14300		
	4.5 m	kg	*8150	5650	9300	5750	11800	7350	*14700	9650	*18300	13300		
	3.0 m	kg	*8250	5400	9200	5650	11500	7100	*14950	9150				
	1.5 m	kg	*8550	5300	9050	5550	11250	6850	14600	8750				
	0.0 m	kg	*8200	5450	*8650	5500	11100	6700	*13850	8500	*16850	11400		
	-1.5 m	kg	*7100	5750			*9800	6700	*12150	8400	*14350	11400		
	-3.0 m	kg					*7150	6800	*9550	8550	*11050	*11050		

* Load is limited by hydraulic capacity rather than tipping.

Ratings are based on SAE Standard No. J1097.

Rated loads do not exceed 87% of hydraulic lift capacity or 75% of tipping load.

Lifting capacities are stated in kg, on the tip of the arm, for machine on firm, level supporting surface.

Standard and optional equipment

Engine

Komatsu SAA6D114E-6 turbocharged common rail direct injection diesel engine	●
EU Stage V compliant	●
Suction type cooling fan with radiator fly screen	●
Automatic engine warm-up system	●
Engine overheat prevention system	●
Fuel control dial	●
Auto-deceleration function	●
Adjustable idle shutdown	●
Engine key stop	●
Engine ignition can be password secured on request	●
Alternator 24 V / 90 A	●
Starter motor 24 V / 11 kW	●
Batteries 2 × 12 V / 180 Ah	●

Hydraulic system

Electronic closed-centre load sensing (E-CLSS) hydraulic system (HydrauMind)	●
Pump and engine mutual control (PEMC) system	●
6-working mode selection system; power mode, economy mode, breaker mode, attachment power and attachment economy mode, and lifting mode	●
PowerMax function	●
Two-mode boom control	●
In-line filter for hydraulics	●
Two additional service valves (full flow)	●
One additional service valve (1/2 flow)	●
Drain circuit for hydraulic attachment rotation motors	●
Prepared for hydraulic quick coupler	●
PPC wrist control levers for arm, boom, bucket and swing, with sliding proportional control for attachments and 3 auxiliary buttons	●
PPC pedal for high reach demolition mid link	●
Komatsu Integrated Attachment Control system (KIAC)	●

Drives and brakes

Hydrostatic, 3-speed travel system with automatic shift and planetary gear type final drives, and hydraulic travel and parking brakes	●
PPC control levers and pedals for steering and travel	●

Undercarriage

Track roller guards	●
Track frame under-guards	●
Hydraulic adjustable wide gauge (HWG) undercarriage	○
600, 700 mm triple grouser track shoes (HWG: 700 mm only)	○
Full length track roller guards (standard with HWG)	○

Cabin

Demolition specification Safety SpaceCab™, with ISO10262 level 2 FOPS guards and roof screen wash wipe system. Fixed, one piece front window. Front and roof window fitted with high impact protective laminated glass, compliant with EN356 Grade P5A, in accordance with EN474 Part 1: Annex G.	●
Tilting cab, controlled by wrist controller buttons, with soft start/soft stop function, including hydraulic power hoses and cab raise cylinders	●
Heated, high back air suspension seat with lumbar support, console mounted height adjustable arm rests, and retractable seat belt	●
Automatic climate control system	●
12 / 24 Volt power supplies	●
USB-A / USB-C power supplies	●
Utility bar	●
Beverage holder and magazine rack	●
Hot and cool box	●
Parallel action wiper with flick wipe function operated by wrist controller button (roof and front windows)	●
DAB+ radio with Bluetooth®, USB, AUX and hands-free kit	●
Premium comfort seat	○

LED lighting system

Working lights: 2 revolving frame (front), 2 boom, 2 HRD arm, 4 cab roof (front), 1 cab roof (rear), 1 revolving frame side (right), 2 counterweight (rear), 1 revolving frame side (left), beacon	●
Coming home light function	●

Work equipment

Demolition 1st boom: Includes demolition 1st boom, fitted with Komatsu hydraulic quick connect system and hydraulic pipework suitable for operation of rotating crusher attachment.	●
High Reach Demolition: Includes heavy duty demolition 2nd boom, heavy duty mid link and heavy duty demolition arm, to fit onto demolition 1st boom. Includes work equipment stands compliant with EN474 Part 1: Annex G	○
Heavy Duty Extension boom: Includes extension boom to fit onto demolition 1st boom, with Komatsu hydraulic quick connect system, piping for hydraulic quick coupler and piping for hose burst valves. Includes equipment stand.	○
Excavation boom: Includes two position excavation boom to fit onto demolition 1st boom, 3200 mm arm, with piping for hydraulic quick-coupler, arm cylinder safety valve. Includes work equipment stands compliant with EN474 Part 1: Annex G	○
K100 quick boom change system: Includes Komatsu hands free boom connections, with advanced Human Machine Interface safety system. Low profile equipment storage stands included.	○
Komatsu buckets	○

Safety equipment

Working range indicator (WRI) system with full colour graphical display and warning buzzer. Compatible with optional high reach arm camera. 15 attachment memory settings.	●
KomVision surround view system	●
Emergency engine stop switch	●
Electric horn	●
Lockable fuel cap and covers	●
Audible travel alarm	●
Neutral position detection system	●
Boom, arm and mid link safety valves, compliant with EN474 Part 1: Annex G	●
Large handrails	●
Rear-view mirrors (for cab adjustable without tools)	●
Battery main switch	●
Emergency cab lower switch (internal and external)	●
High reach arm end camera	○

Service and maintenance

Automatic fuel line de-aeration	●
Double element type air cleaner with dust indicator and auto dust evacuator	●
Komtrax – Komatsu wireless monitoring system	●
Komatsu Care – a maintenance program for Komatsu customers	●
Multi-function video compatible colour monitor with Equipment Management and Monitoring System (EMMS) and efficiency guidance	●
Toolkit	●
Service points	●
Komatsu branded automatic centralised greasing system	○

Other equipment

Heavy duty revolving frame with heavy duty demolition under covers and side guard protection	●
Counterweight prepared for demolition counterweight	●
Remote greasing for swing circle and pins	●
Electric refuelling pump with automatic shut off function	●
3-mode water spray dust suppression system	●
Standard colour scheme and decals	●
Parts book and operator manual	●
Additional counterweight. To fit into main demolition counterweight when high reach or medium reach demolition equipment is installed. Removable for excavation operations	○
Counterweight prepared for additional demolition counterweight. Not compatible with K100 quick boom change system.	○
One piece demolition specification counterweight. Fitted as standard with K100 quick boom change system.	○
Additional demolition counterweight. To fit into main demolition counterweight when high reach or medium reach demolition equipment is installed. Removable for excavation operations. Not included with K100 quick boom change system.	○
Biodegradable oil for hydraulic system	○
Customised paint	○
Dust resistance kit, including turbine type engine air pre cleaner, mesh protection to air intakes	○

Further equipment on request

- standard equipment
- optional equipment

This specification sheet may contain attachments and optional equipment that are not available in your area. Please consult your local Komatsu distributor for those items you may require. Materials and specifications are subject to change without notice.

Your Komatsu partner:

KOMATSU

[komatsu.eu](https://www.komatsu.eu)

